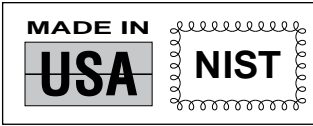




**\$1525**  
Model Shown



Interchangeable with  
Model  
**TH-Torque Cell**

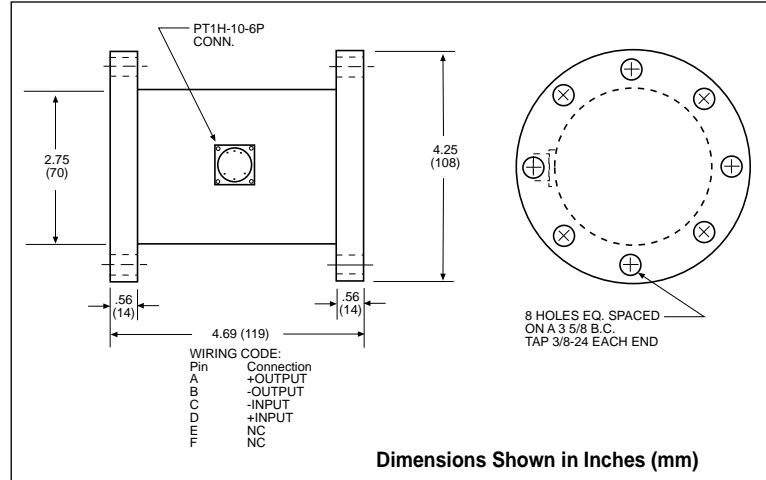
**SPEC SHEET**  
TQ302

# REACTION TORQUE CELL

## Heavy Duty Flange Mount



Model TQ302-2K  
Shown Smaller than Actual Size



**TQ302 Series**  
Reaction Torque  
0 to 2,000 in-lb  
0 to 225 N-m

1 N-m = 0.7375 ft-lb  
1 ft-lb = 1.356 N-m  
1 N-m = 8.85 in-lb  
1 ft-lb = 12 in-lb

For Sales and Service  
In U.S.A. and Canada

**1-800-872-3963**  
**1-800-USA-DYNE**

International Customers Dial  
**(614) 965-9340**  
24-Hour FAX (614) 965-9438

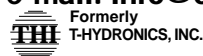
**OMEGADYNE<sup>SM</sup> FAX**

OMEGADYNE's 24-Hour  
On-Line Publishing Service

**1-800-344-3963**  
**1-800-DIG-DYNE**

Document # 3722

**OMEGADYNE, Inc.**  
149 Stelzer Court, Sunbury, OH 43074  
<http://www.omegadyne.com>  
e-mail: [info@omegadyne.com](mailto:info@omegadyne.com)

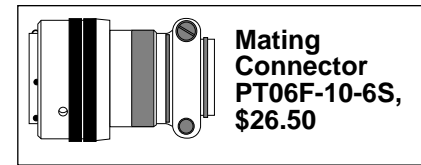


© COPYRIGHT 1996 OMEGADYNE, INC. ALL RIGHTS RESERVED.

- ✓ All Stainless Steel Case for Long Term Reliability in Industrial Environments
- ✓ High Accuracy
- ✓ Shielded Cable for Precise Low Noise Measurements
- ✓ Heavy Duty Mounting for Positive, Non-Slip Connection

**SPECIFICATIONS:**

Output: 1.5 mV/V  
Excitation: 10 Vdc, 15 Vdc max  
Input Resistance: 360 ohms min.  
Output Resistance: 350 ohms ±5  
Accuracy Class: 0.2%  
Linearity: ±0.2% FSO  
Hysteresis: ±0.05% FSO  
Repeatability: ±0.05% FSO  
Zero Balance: ±1% FSO



Compensated Temp. Range:  
+16 to +71°C (+60 to +160°F)

Operating Temp Range:  
-54 to +107°C (-65 to +225°F)

Thermal Effects:  
Zero: 0.005% FSO/°F  
Span: 0.005% Rdg/°F

Safe Overload: 150% of Capacity  
Ultimate Overload: 300% of Capacity  
Construction: Stainless Steel  
Electrical: PT1H-10-6P Connection  
Mating Connector: PT06F-10-6S (not included)

► Most Popular Models Highlighted ◀

Prices Shown in U.S. Dollars

To Order: (Specify Model Number)			
Range (in-lb)	Model Number	Price	Compatible Meters
0-2000	TQ302-2K	\$1525	INFS, INFCs

Interchangeable with Model TH-Torque Cell Metric Ranges Available - Consult Engineering  
Ordering Examples: 1.) TQ302-2K is a 2,000 in-lb range reaction torque sensor, \$1525.

Look for **OMEGADYNE** Products  
on the World Wide Web!  
<http://www.omegadyne.com>  
e-mail: [info@omegadyne.com](mailto:info@omegadyne.com)

Printed On Recycled Paper

